

Lay In Wireway NEMA 1

Wireway & Trough
Lay-In Wireway

Screw Cover	2.5 x 2.5	4 x 4	6 x 6	8 x 8	10 x 10	12 x 12
Straight Section 12"	CWSC212NK	CWSC412NK	CWSC612NK	CWSC812NK	CWSC1012NK	CWSC1212NK
Straight Section 18"	-	CWSC418NK	CWSC618NK	CWSC818NK	-	-
Straight Section 24"	CWSC224NK	CWSC424NK	CWSC624NK	CWSC824NK	CWSC1024NK	CWSC1224NK
Straight Section 36"	CWSC236NK	CWSC436NK	CWSC636NK	CWSC836NK	CWSC1036NK	CWSC1236NK
Straight Section 48"	CWSC248NK	CWSC448NK	CWSC648NK	CWSC848NK	CWSC1048NK	CWSC1248NK
Straight Section 60"	CWSC260NK	CWSC460NK	CWSC660NK	CWSC860NK	CWSC1060NK	CWSC1260NK
Straight Section 72"	-	CWSC472NK	CWSC672NK	CWSC872NK	CWSC1072NK	CWSC1272NK
Straight Section 96"	-	-	-	-	CWSC1096NK	CWSC1296NK
Straight Section 120"	CWSC2120NK	CWSC4120NK	CWSC6120NK	CWSC8120NK	CWSC10120NK	CWSC12120NK
Hinge Cover	2.5 x 2.5	4 x 4	6 x 6	8 x 8	10 x 10	12 x 12
Straight Section 12"	CWST212	CWST412	CWST612	CWST812	CWST1012NK	CWST1212NK
Straight Section 18"	-	CWST418NK	CWST618NK	CWST818NK	-	-
Straight Section 24"	CWST224	CWST424	CWST624	CWST824	CWST1024NK	CWST1224NK
Straight Section 36"	CWST236	CWST436	CWST636	CWST836	CWST1036NK	CWST1236NK
Straight Section 48"	CWST248	CWST448	CWST648	CWST848	CWST1048NK	CWST1248NK
Straight Section 60"	CWST260	CWST460	CWST660	CWST860	CWST1060NK	CWST1260NK
Straight Section 72"	CWST272	CWST472	CWST672	CWST872	CWST1072NK	CWST1272NK
Straight Section 96"	CWST296	CWST496	CWST696	CWST896	CWST1096NK	CWST1296NK
Straight Section 120"	CWST2120	CWST4120	CWST6120	CWST8120	CWST10120NK	CWST12120NK
Accessories	2.5 x 2.5	4 x 4	6 x 6	8 x 8	10 x 10	12 x 12
Straight Section Barrier 60"	CWBA260	CWBA460	CWBA660	CWBA860	-	-
Elbow 90 degrees	CWEL290	CWEL490	CWEL690	CWEL890	CWEL1090	CWEL1290
Elbow 45 degrees	CWEL245	CWEL445	CWEL645	CWEL845	CWEL1045	CWEL1245
Elbow 22.5 degrees	CWEL222	CWEL422	CWEL622	CWEL822	-	-
Tee Fitting	CWTF2	CWTF4	CWTF6	CWTF8	CWTF10	CWTF12
Cross Fitting	CWCF2	CWCF4	CWCF6	CWCF8	CWCF10	CWCF12
Reducer 4 x 4 to 2.5 x 2.5	-	CWRD42	-	-	-	-
Reducer 6 x 6 to 4 x 4	-	-	CWRD64	-	-	-
Reducer 8 x 8 to 6 x 6	-	-	-	CWRD86	-	-
Reducer 10 x 10 to 8 x 8	-	-	-	-	CWRD108	-
Reducer 12 x 12 to 8 x 8	-	-	-	-	-	CWRD128
Reducer 12 x 12 to 10 x 10	-	-	-	-	-	CWRD1210
Corner Reducer 4 x 4 to 2.5 x 2.5	-	CWCRD42	-	-	-	-
Corner Reducer 6 x 6 to 4 x 4	-	-	CWCRD64	-	-	-
Corner Reducer 8 x 8 to 6 x 6	-	-	-	CWCRD86	-	-
Bracket Hanger Ceiling Type	CWHD2	CWHD4	CWHD6	CWHD8	CWHD10	CWHD12
Bracket Hanger Wall Type	CWHW2	CWHW4	CWHW6	CWHW8	CWHW10	CWHW12
Closing Plate	CWCP2	CWCP4	CWCP6	CWCP8	CWCP10	CWCP12
Adapter (Box Connector)	CWAD2	CWAD4	CWAD6	CWAD8	CWAD10	CWAD12
Joiner	CWJO2	CWJO4	CWJO6	CWJO8	CWJO10	CWJO12
Telescope Fitting	CWTL2	CWTL4	CWTL6	CWTL8	CWTL10	CWTL12

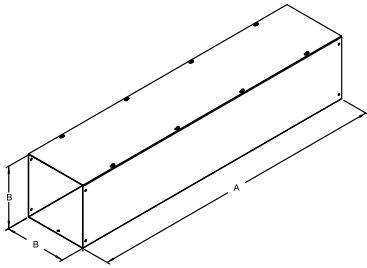
 Technical references and CAD downloads available at www.hammondmfg.com

All dimensions in inches unless specified otherwise

Quality Products. Service Excellence.

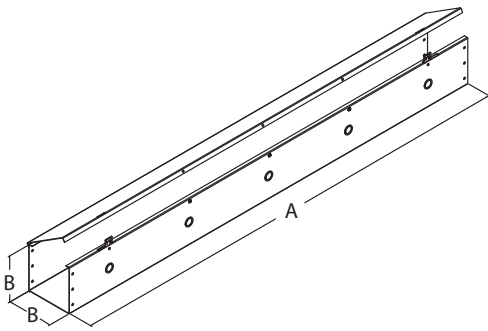
Lay In Wireway

NEMA 1



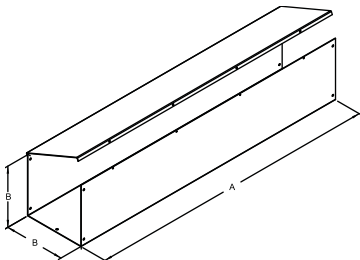
Straight Section - Screw Cover w/o Knockouts

A=12"	A=18"	A=24"	A=36"	A=48"	A=60"	A=72"	A=96"	A=120"	B
CWSC212NK	-	CWSC224NK	CWSC236NK	CWSC248NK	CWSC260NK	-	-	CWSC2120NK	2.50
CWSC412NK	CWSC418NK	CWSC424NK	CWSC436NK	CWSC448NK	CWSC460NK	CWSC472NK	-	CWSC4120NK	4.00
CWSC612NK	CWSC618NK	CWSC624NK	CWSC636NK	CWSC648NK	CWSC660NK	CWSC672NK	-	CWSC6120NK	6.00
CWSC812NK	CWSC818NK	CWSC824NK	CWSC836NK	CWSC848NK	CWSC860NK	CWSC872NK	-	CWSC8120NK	8.00
CWSC1012NK	-	CWSC1024NK	CWSC1036NK	CWSC1048NK	CWSC1060NK	CWSC1072NK	CWSC1096NK	CWSC10120NK	10.00
CWSC1212NK	-	CWSC1224NK	CWSC1236NK	CWSC1248NK	CWSC1260NK	CWSC1272NK	CWSC1296NK	CWSC12120NK	12.00



Straight Section - Hinge Cover with Knockouts

A=12"	A=24"	A=36"	A=48"	A=60"	A=72"	A=96"	A=120"	B
CWST212	CWST224	CWST236	CWST248	CWST260	CWST272	CWST296	CWST2120	2.5
CWST412	CWST424	CWST436	CWST448	CWST460	CWST472	CWST496	CWST4120	4
CWST612	CWST624	CWST636	CWST648	CWST660	CWST672	CWST696	CWST6120	6
CWST812	CWST824	CWST836	CWST848	CWST860	CWST872	CWST896	CWST8120	8



Straight Section - Hinge Cover w/o Knockouts

A=12"	A=18"	A=24"	A=36"	A=48"	A=60"	A=72"	A=96"	A=120"	B
-	CWST418NK	-	-	-	-	-	-	-	4.00
-	CWST618NK	-	-	-	-	-	-	-	6.00
-	CWST818NK	-	-	-	-	-	-	-	8.00
CWST1012NK	-	CWST1024NK	CWST1036NK	CWST1048NK	CWST1060NK	CWST1072NK	CWST1096NK	CWST10120NK	10.00
CWST1212NK	-	CWST1224NK	CWST1236NK	CWST1248NK	CWST1260NK	CWST1272NK	CWST1296NK	CWST12120NK	12.00

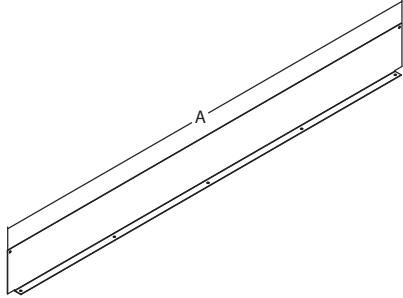
Technical references and CAD downloads available at www.hammondmfg.com

All dimensions in inches unless specified otherwise

Quality Products. Service Excellence.

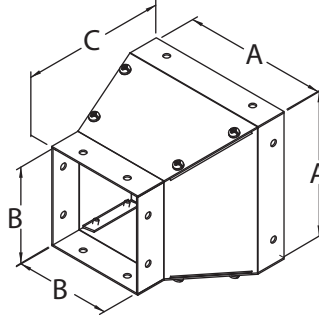
Lay In Wireway

NEMA 1



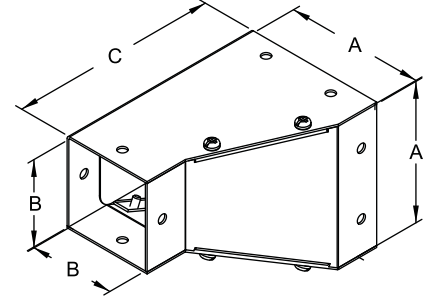
Straight Section Barrier

Part No.	A	B
CWBA260	58.88	2.5
CWBA460	58.88	4
CWBA660	58.88	6
CWBA860	58.88	8



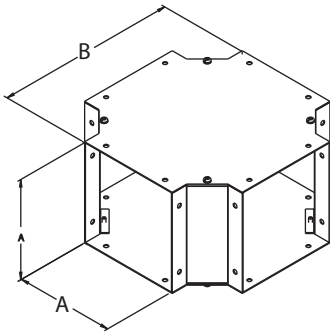
Reducer

Part No.	Size	A	B	C
CWRD42	4x4 to 2.5x2.5	4	2.5	6
CWRD64	6x6 to 4x4	6	4	6
CWRD86	8x8 to 6x6	8	6	6
CWRD108	10x10 to 8x8	10	8	6
CWRD128	12x12 to 8x8	12	8	6
CWRD1210	12x12 to 10x10	10	10	6



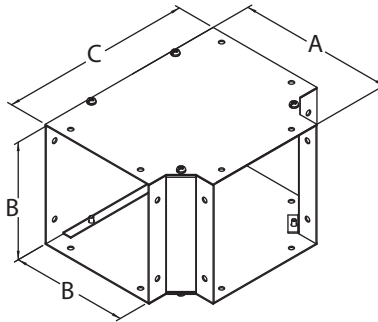
Corner Reducer

Part No.	Size	A	B	C
CWCRD42	4x4 to 2.5x2.5	4	2.5	6
CWCRD64	6x6 to 4x4	6	4	6
CWCRD86	8x8 to 6x6	8	6	6



Cross Fitting

Part No.	A	B
CWCF2	2.5	7.5
CWCF4	4	9
CWCF6	6	11
CWCF8	8	13
CWCF10	10	15
CWCF12	12	17



Tee Fitting

Part No.	A	B	C
CWTF2	4.5	2.5	6.386
CWTF4	6	4	7.886
CWTF6	8	6	9.886
CWTF8	10	8	11.856
CWTF10	12	10	13.856
CWTF12	14	12	15.856

Wireway & Trough

Lay-In Wireway